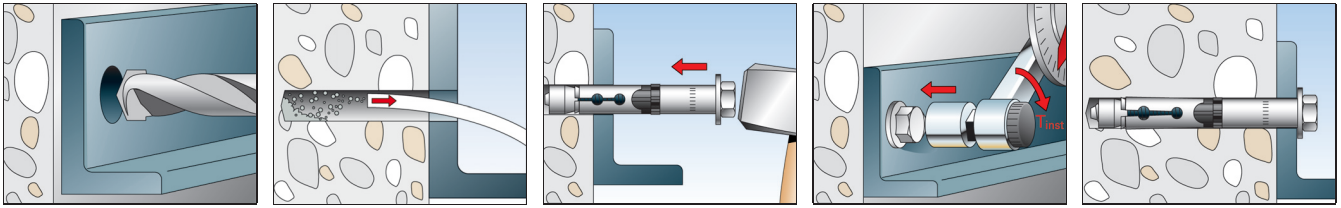


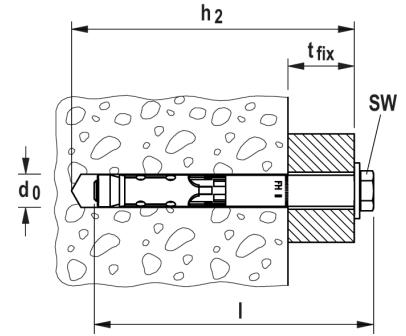
INSTALLATION



TECHNICAL DATA



High performance anchor **FH II-S** with hexagonal head



Item	zinc-plated steel	stainless steel	Approval		Seismic-Approval	Drill hole diameter d_0 [mm]	Min. drill hole depth for through fixings h_2 [mm]	Anchor length l [mm]	Max. fixture thickness t_{fix} [mm]	Thread M	Width across nut \varnothing SW [mm]	Sales unit [pcs]
	Art.-No.	Art.-No.	ETA	ICC								
	gvz	A4										
FH II 10/10 S	503133	—	■	—	—	10	65	70	10	M 6	10	50
FH II 10/10 S	—	510923	■	—	—	10	65	69	10	M 6	10	50
FH II 10/25 S	503134	—	■	—	—	10	80	85	25	M 6	10	50
FH II 10/25 S	—	510924	■	—	—	10	80	84	25	M 6	10	50
FH II 10/50 S	503135	—	■	—	—	10	105	110	50	M 6	10	50
FH II 12/10 S	044884	—	■	▲	C1	12	90	90	10	M 8	13	50
FH II 12/10 S	—	510925	■	—	—	12	90	90	10	M 8	13	50
FH II 12/25 S	044885	—	■	▲	C1	12	105	105	25	M 8	13	50
FH II 12/25 S	—	510926	■	—	—	12	105	105	25	M 8	13	20
FH II 12/50 S	044886	—	■	▲	C1	12	130	130	50	M 8	13	25
FH II 15/10 S	044887	—	■	▲	C1	15	100	106	10	M 10	17	25
FH II 15/10 S	—	510927	■	—	—	15	100	107	10	M 10	17	50
FH II 15/25 S	044888	—	■	▲	C1	15	115	121	25	M 10	17	25
FH II 15/25 S	—	510928	■	—	—	15	115	122	25	M 10	17	20
FH II 15/50 S	044889	—	■	▲	C1	15	140	146	50	M 10	17	25
FH II 18/10 S	046847	—	■	▲	C1	18	115	118	10	M 12	19	20
FH II 18/25 S	044894	—	■	▲	C1	18	130	132	25	M 12	19	20
FH II 18/25 S	—	510929	■	—	—	18	130	133	25	M 12	19	10
FH II 18/50 S	044896	—	■	▲	C1	18	155	157	50	M 12	19	20
FH II 24/25 S	044898	—	■	▲	C1	24	150	160	25	M 16	24	10
FH II 24/25 S	—	502711	■	—	—	24	150	160	25	M 16	24	8
FH II 24/50 S	044900	—	■	▲	C1	24	175	185	50	M 16	24	10
FH II 28/30 S	044901	—	■	▲	C1	28	185	192	30	M 20	30	4
FH II 28/60 S	044902	—	■	▲	C1	28	215	222	60	M 20	30	4
FH II 32/30 S	044903	—	■	▲	C1	32	210	215	30	M 24	36	4
FH II 32/60 S	044904	—	■	▲	C1	32	240	245	60	M 24	36	4